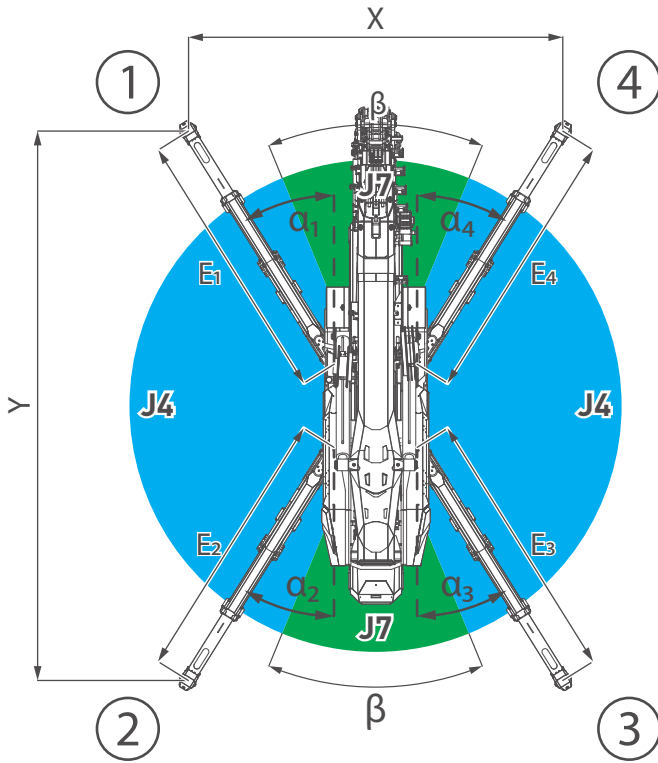
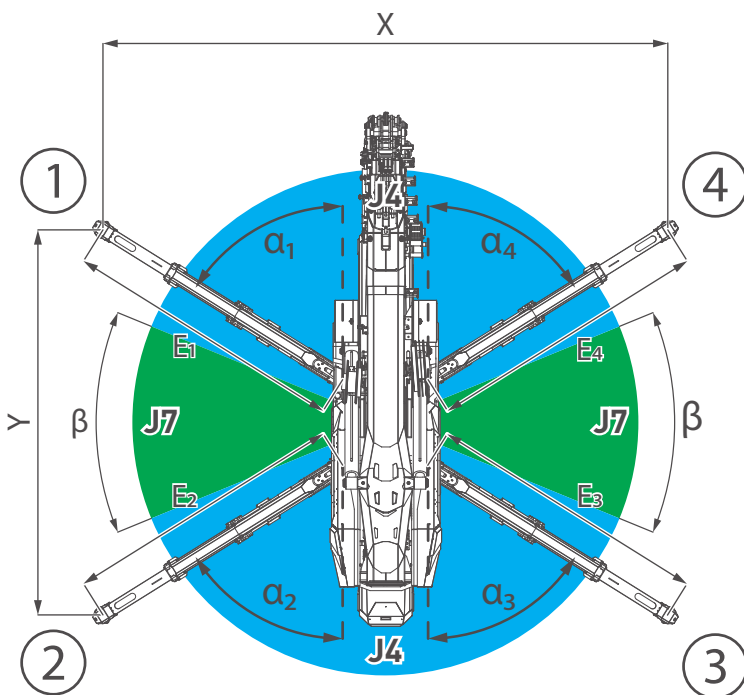


CRANE PERFORMANCE STABILITY EXAMPLES



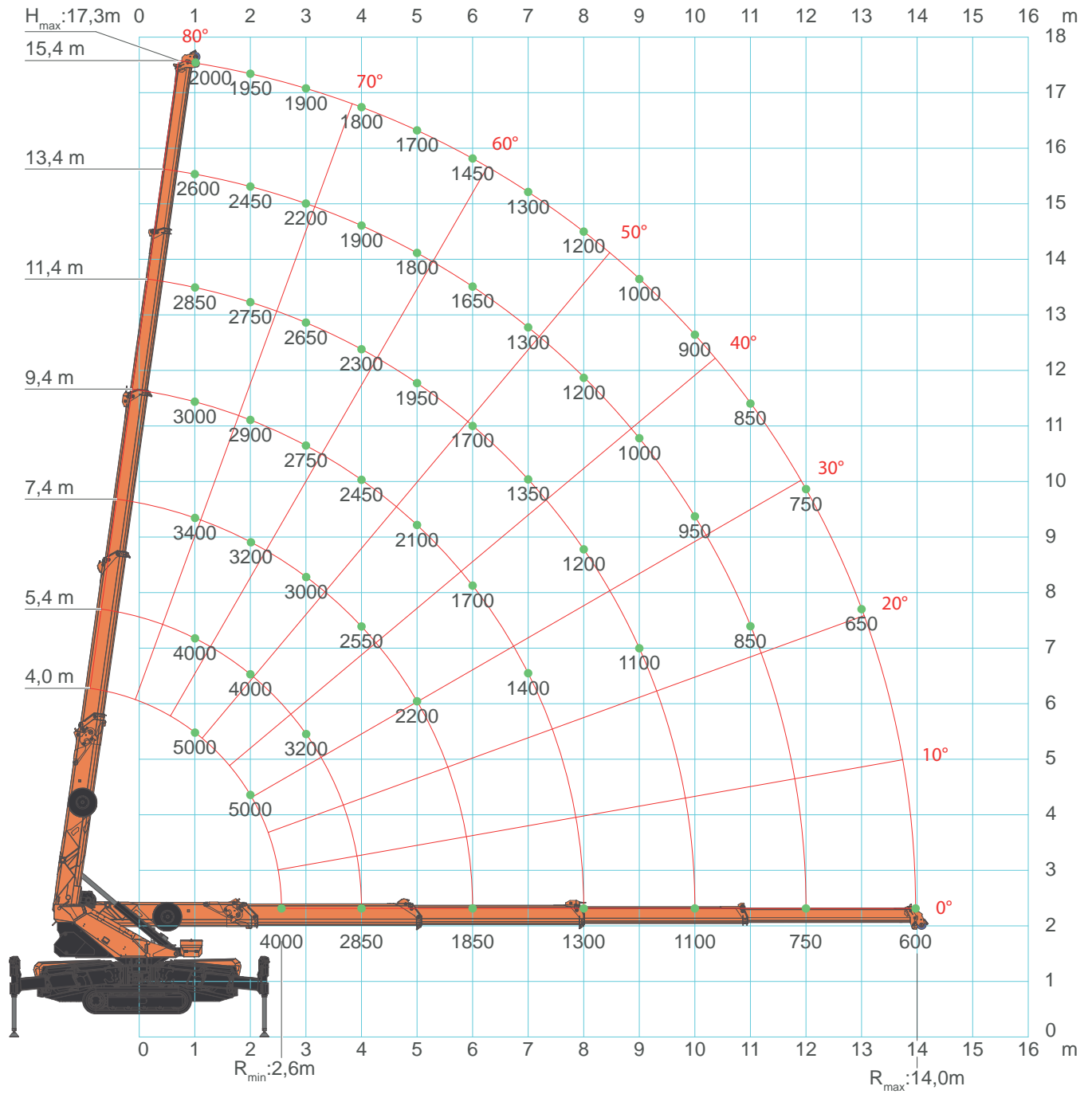
FULL SYMMETRIC STABILITY		
	Main Boom	with Jib
FOOTPRINT DIMENSIONS	X	3,6 m
	Y	5,2 m
OUTRIGGERS ANGLES	α_1	32°
	α_2	32°
	α_3	32°
	α_4	32°
OUTRIGGERS EXTENSIONS	E ₁	2,6 m
	E ₂	2,6 m
	E ₃	2,6 m
	E ₄	2,6 m
J7	β	44°



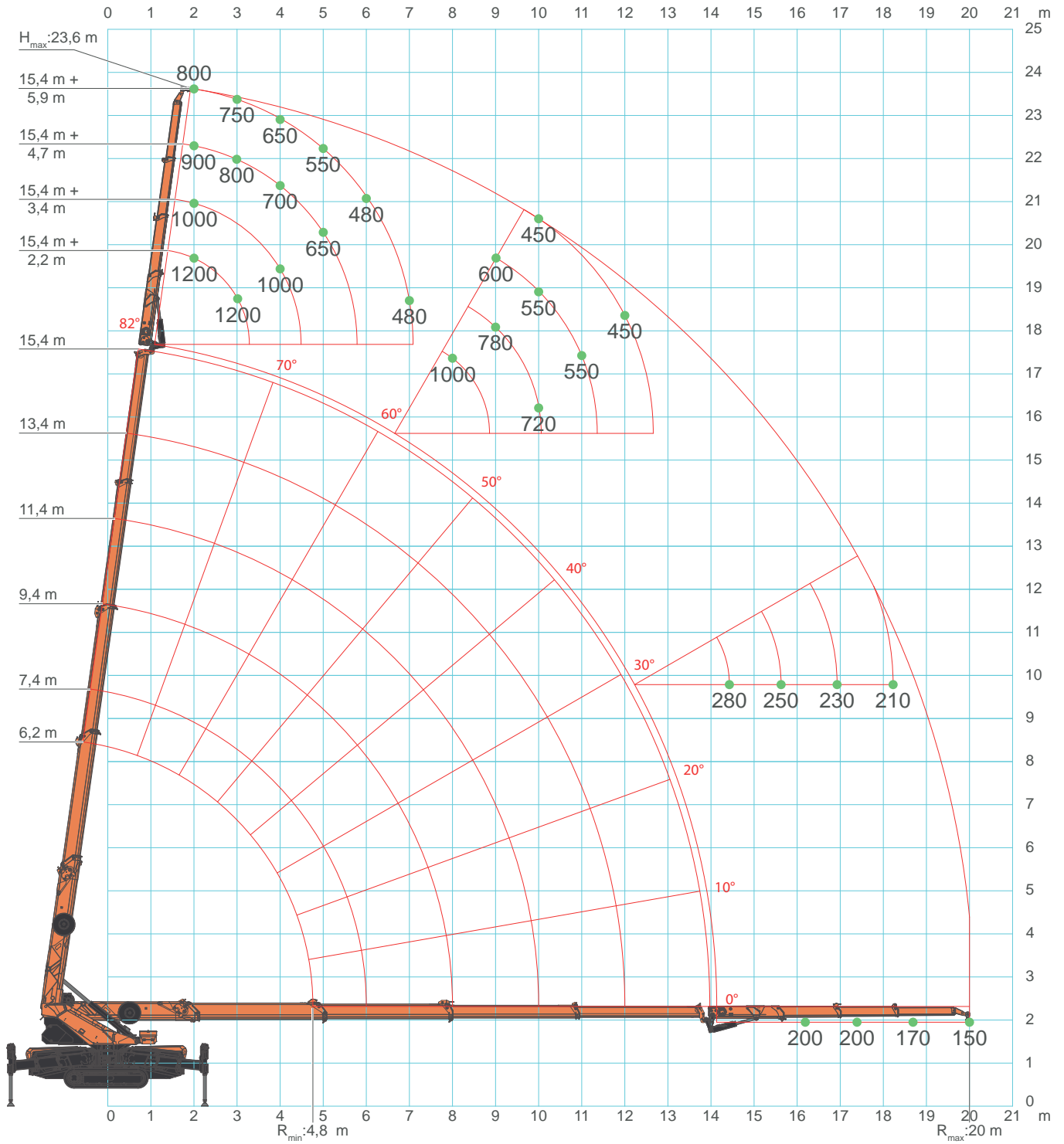
FULL SYMMETRIC STABILITY		
	Main Boom	with Jib
FOOTPRINT DIMENSIONS	X	5,2 m
	Y	3,6 m
OUTRIGGERS ANGLES	α_1	58°
	α_2	58°
	α_3	58°
	α_4	58°
OUTRIGGERS EXTENSIONS	E ₁	2,6 m
	E ₂	2,6 m
	E ₃	2,6 m
	E ₄	2,6 m
J7	β	44°

SPX650 - MAIN BOOM

J7



SPX650 - JIB1200.3HX



[kg]